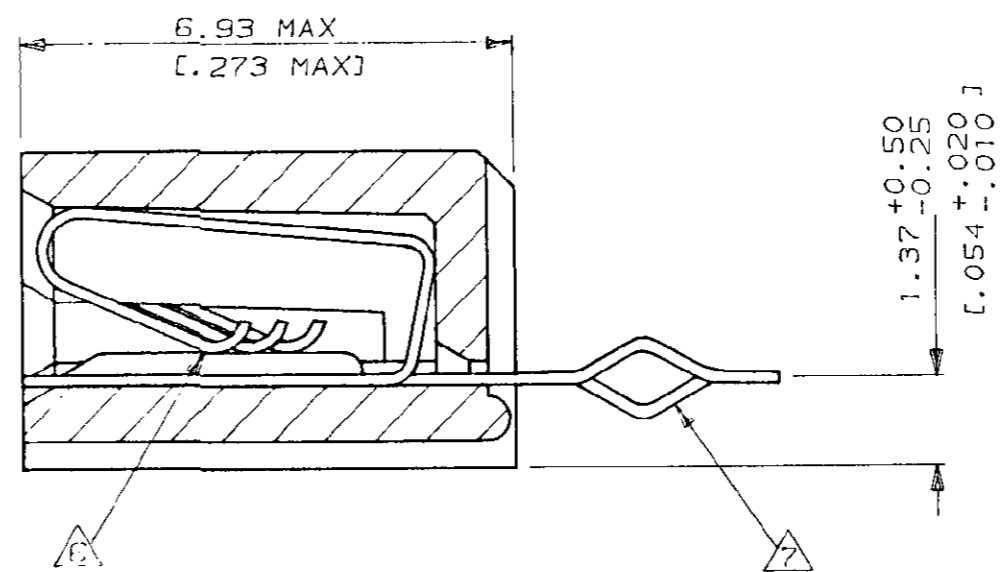
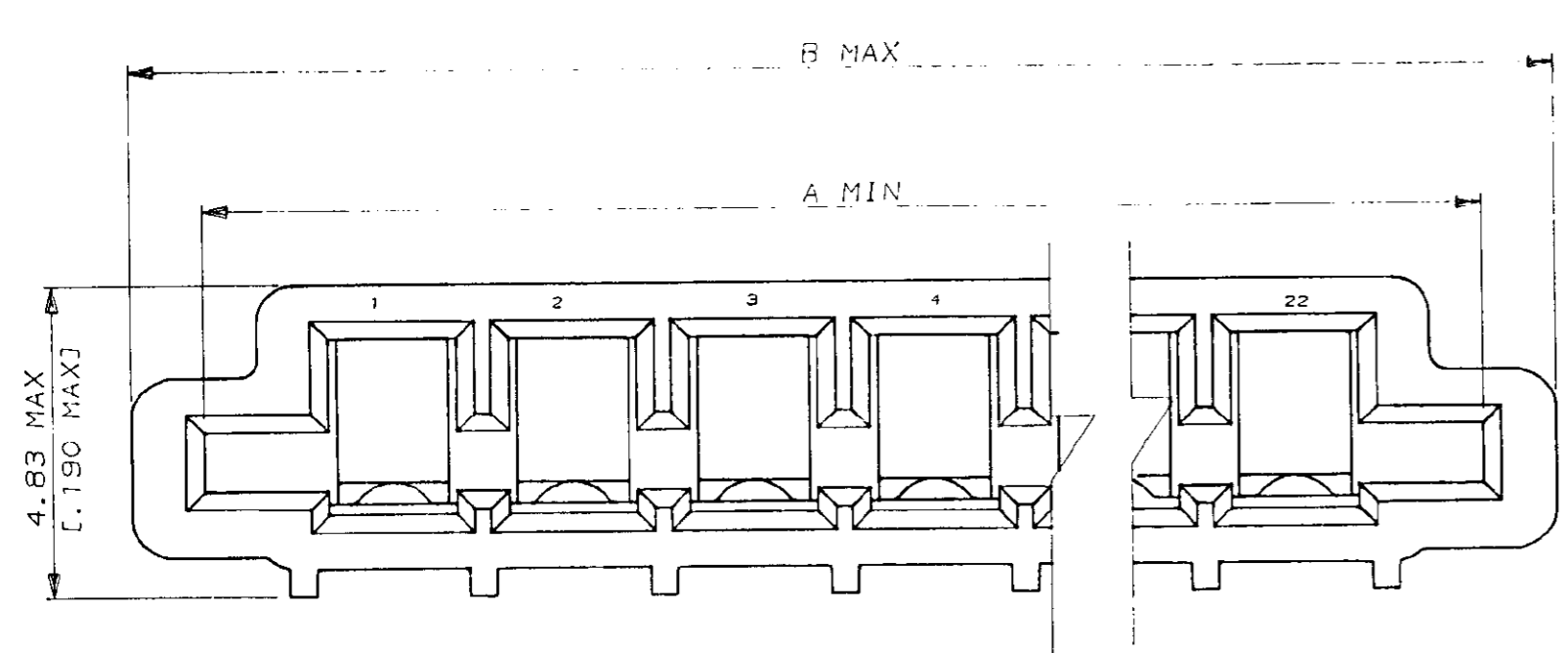
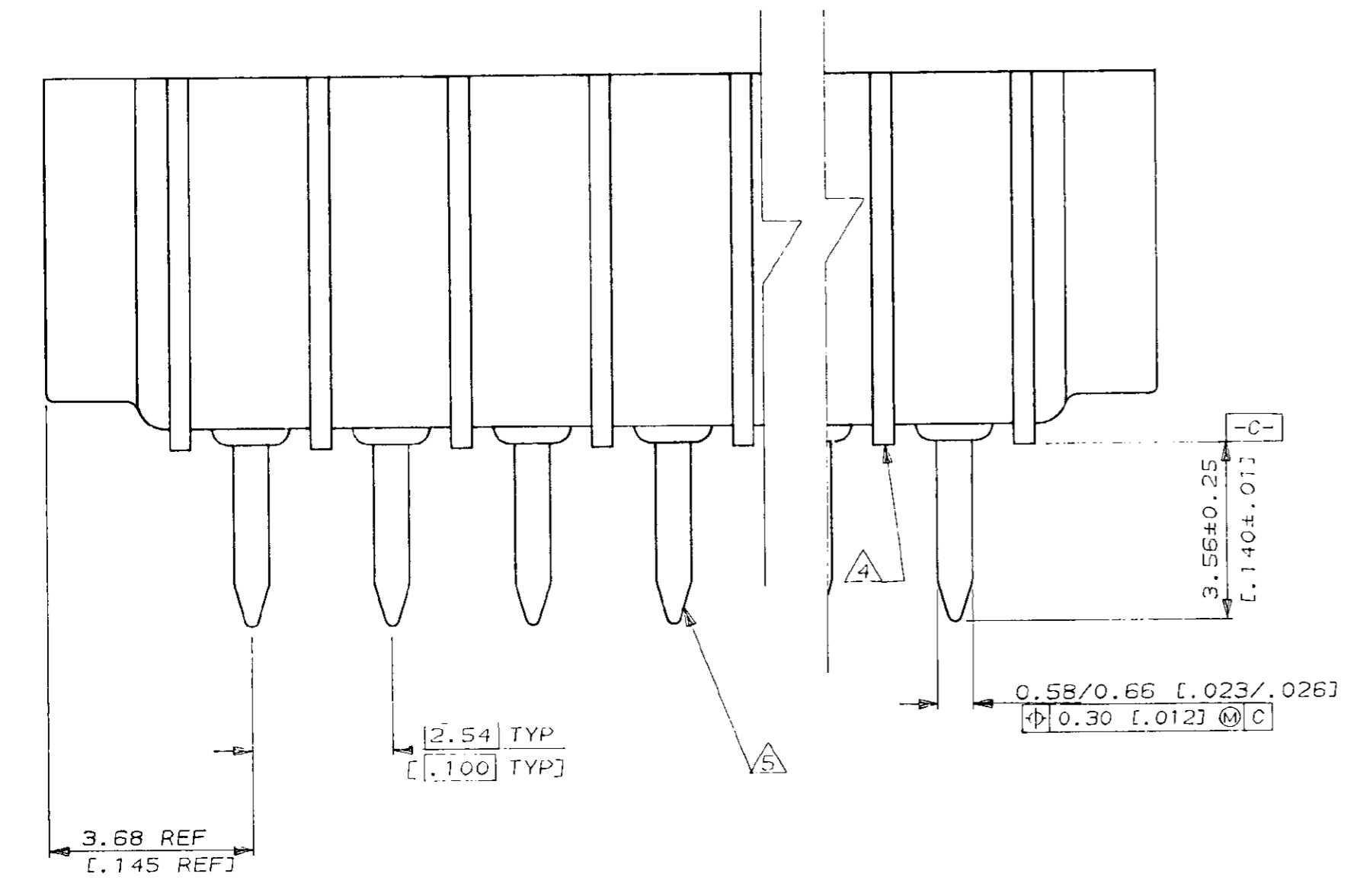


520315
METRIC



NOTES

- △ MATERIAL
HOUSING : GLASS REINFORCED POLYESTER
THERMOPLASTIC UL 94 V0 RATED, BLACK
CONTACT : PHOS BRONZE
- △ CONTACTS, MATTE TIN PLATED
- 3 CONNECTOR WILL ACCEPT FLEXIBLE PRINTED CIRCUIT OR FLAT FLEXIBLE CABLE ON 2.54 [1.00] CENTERS IN A THICKNESS RANGE OF 0.127 TO 0.381 [0.005 TO .015] IN CONTACT AREA
- △ STAND-OFFS PREVENT SOLVENT ENTRAPMENT
- △ LEAD-IN ON PINS FOR EASE OF INSERTION INTO BOARD
- △ SEQUENTIAL CONTACTS REDUCE CABLE INSERTION FORCE
- △ ALTERNATING CONTACT FORM RETAINS CONNECTOR IN P.C. BOARD DURING SOLDER OPERATION
- 8 ACCEPTS CABLE OR CIRCUITRY WITH EXPOSED CONDUCTORS FACING TOWARD OR AWAY FROM THE BOARD SURFACE
- 9 REFER TO APPLICATION SPEC 114-2062
- △ OBSOLETE PARTS: OBSOLETE CIS STREAMLINING PER D.RENAUD/D.SINISI



| LEAD FREE | | | | | SUPERSEDED | |
|-----------|-----------------------|---------------|---------------|-----|------------|---|
| STATUS | PART NO | B | A | POS | PART NO | |
| OBSOLETE | 7-520315-2 | 60.78 [2.393] | 58.62 [2.308] | 22 | 2-520315-2 | X |
| OBSOLETE | 7-520315-1 | 58.24 [2.293] | 56.08 [2.208] | 21 | 2-520315-1 | |
| | 7-520315-0 | 55.70 [2.193] | 53.54 [2.108] | 20 | 2-520315-0 | |
| | 6-520315-9 | 53.16 [2.093] | 51.00 [2.008] | 19 | 1-520315-9 | |
| OBSOLETE | 6-520315-8 | 50.62 [1.993] | 48.46 [1.908] | 18 | 1-520315-8 | |
| OBSOLETE | 6-520315-7 | 48.08 [1.893] | 45.92 [1.808] | 17 | 1-520315-7 | |
| | 6-520315-6 | 45.54 [1.793] | 43.38 [1.708] | 16 | 1-520315-6 | |
| | 6-520315-5 | 43.00 [1.693] | 40.84 [1.608] | 15 | 1-520315-5 | |
| | 6-520315-4 | 40.46 [1.593] | 38.30 [1.508] | 14 | 1-520315-4 | |
| | 6-520315-3 | 37.92 [1.493] | 35.76 [1.408] | 13 | 1-520315-3 | |
| | 6-520315-2 | 35.38 [1.393] | 33.22 [1.308] | 12 | 1-520315-2 | |
| | 6-520315-1 | 32.84 [1.293] | 30.68 [1.208] | 11 | 1-520315-1 | |
| | 6-520315-0 | 30.30 [1.193] | 28.14 [1.108] | 10 | 1-520315-0 | |
| | 5-520315-9 | 27.76 [1.093] | 25.60 [1.008] | 9 | 520315-9 | |
| | 5-520315-8 | 25.22 [.993] | 23.06 [.908] | 8 | 520315-8 | |
| | 5-520315-7 | 22.68 [.893] | 20.52 [.808] | 7 | 520315-7 | |
| | 5-520315-6 | 20.14 [.793] | 17.98 [.708] | 6 | 520315-6 | |
| | 5-520315-5 | 17.60 [.693] | 15.44 [.608] | 5 | 520315-5 | |
| | 5-520315-4 | 15.06 [.593] | 12.90 [.508] | 4 | 520315-4 | |
| | 5-520315-3 | 12.52 [.493] | 10.36 [.408] | 3 | 520315-3 | |
| | 5-520315-2 | 9.98 [.393] | 7.82 [.308] | 2 | 520315-2 | |

| | | | | | |
|---------|-----------------------|-----|-----|---------|---|
| PART NO | | B | A | POS | PART NO |
| U4 | ECR-10-022530 | KK | HMR | 10FEB11 | Copyright ©1993 |
| U3 | REV PER ECO-10-000445 | KK | AEG | 12JAN10 | Copyright ©1993 TE MFG (S) PTE LTD. ALL RIGHTS RESERVED. |
| U2 | REVISED ECR-06-004332 | PM | KS | 21FEB06 | (WIRE RANGE) (INSULATION DIA.) (NAME) mm ² (AWG -) - mm ² (MATERIAL) (FINISH) TRIO-MATE VERTICAL CABLE ENTRY FOR 1.57 [0.062] THK P.C. BOARD (GENERAL TOLERANCE) SIZE LOC (NO.) ±.38 A2 DY 520315 [±.015] (SCALE) REV. SHEET 10:1 U4 1 OF 1 |
| U1 | REVISED FR00-0002-05 | SD | PCH | 22DEC04 | |
| U | REVISED FR00-0011-04 | SD | PCH | 09FEB04 | |
| T | REVISED DY/EC/0799 | LWY | SL | 18.7.03 | |
| S | REDRAHN DY/EC/0682 | RT | LHM | 12.4.03 | |
| LTR | (REVISION RECORD) | DR | CHK | DATE | DR. ROHENA DE. A. SOH CHK. HMLAH APP. D. MARTIN |

(CUSTOMER DRAWING)

DIMENSIONS IN MM (INCHES). DO NOT SCALE PRINT